



# Magnatech International



CE

**BW-7-SEB**

## **BW-7-SEB**

SINGLE-END WIRE BOBBIN  
WINDER FOR SEGMENTED  
WIRE SPIRAL BOBBINS

---

### **FEATURES & BENEFITS**

- Increased production over previous models
  - Uniform tension control
  - Winds 0.20 - 0.80mm diameter wire \*
  - Accurate wire length control end to end and bobbin to bobbin
  - Low maintenance costs
  - Convenient 6-spindle let-off
  - Electronic control for quick product change over
  - Mechanical tensioning system
  - Winds 3-pack, 4-pack, 5-pack and 6-pack Segment Wire Spiral Bobbins
- \* Wire above 0.65 mm requires increased tension let-off kit

### **SPECIFICATIONS**

|   |  |                 |                                  |                    |
|---|--|-----------------|----------------------------------|--------------------|
| <b>Bobbin Speed</b>                       | 150 - 2250 RPM   |                 |                                  |                    |
| <b>Bobbin Size</b>                        | Flange: 190 mm (7.5 in)  |                 | Overall Traverse: 254 mm (10 in) |                    |
| <b>Productivity/Minute</b>                | 520 m (1700 ft)/minute 0.20 - 0.65 mm Wire<br>400 m (1310 ft)/minute 0.65 - 0.80 mm Wire |                 |                                  |                    |
|   | <b>Length</b>  | <b>Width</b>    | <b>Height</b>                    | <b>Weight</b>      |
| <b>Dimensions with Mechanical Let-off</b> | 3251 mm (128 in)   | 1626 mm (64 in) | 1880 mm (74 in)                  | 2041 kg (4500 lbs) |

# BW-7-SEB

## SINGLE-END WIRE BOBBIN WINDER

The BW-7-SEB precisely feeds and winds wire from single-end supply spools onto segmented bobbins at equal lengths ... a critical requirement in order to obtain quality hose manufacture.

### ADDITIONAL FEATURES

- Operator can input wire diameter, bobbin type and total wire length into a database and save them in memory as a product for future recall (50 recipe max.)
- Simple electronic operator controls allow for precise adjustment of traverse reversal locations



**Operator Interface**

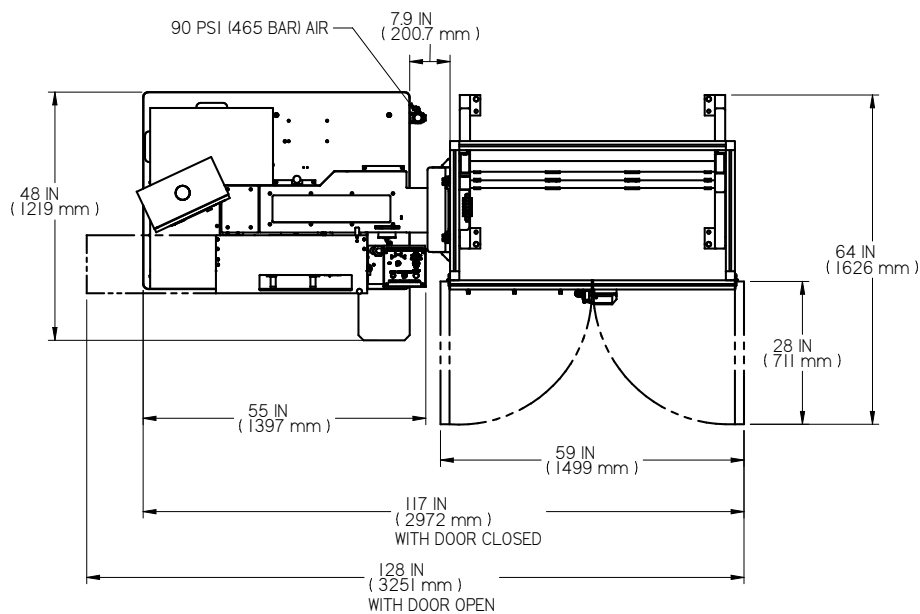


**Traverse Assembly**



**Operator Control**

### BW-7 SEB WITH LET-OFF ORIENTATION



*Magnatech reserves the right to alter the design and specifications of any of its products without prior notice.*